

Unmounted PCA data sheet PCA-40-5-10-λ-0

| | | | |
|---------------------|---------------|-------------------|--|
| PCA chip area | 6 mm x 6 mm | | |
| PCA chip thickness | 625 μm | | |
| 2 bond contact pads | material: | ~ 200 nm Ti/Pt/Au | |
| | contact area: | ~ 250 μm x 400 μm | |

Antenna design

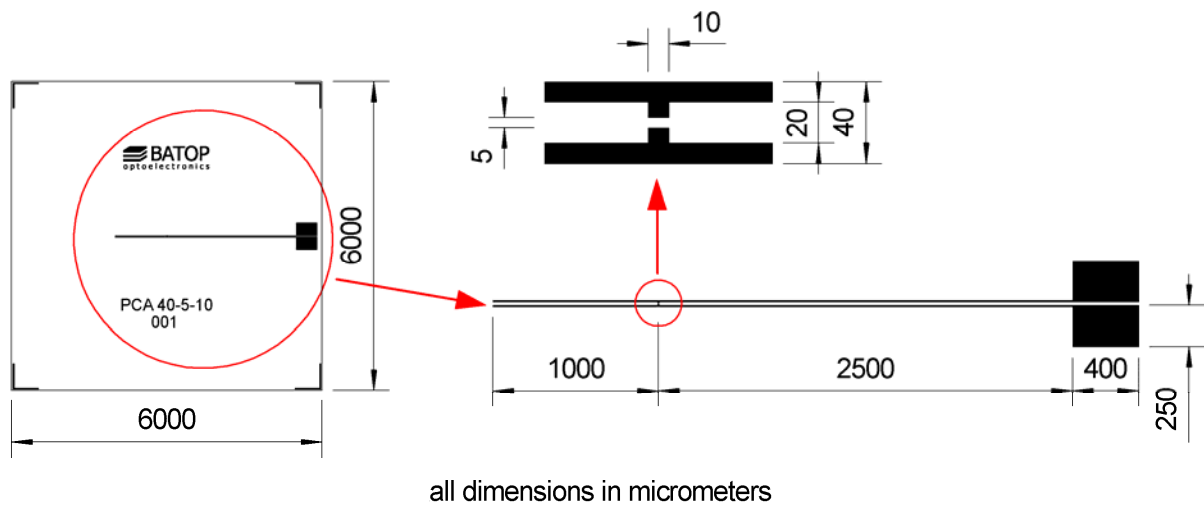


Photo PCA 40-05-10 (survey)

Photo PCA 40-05-10

Photo PCA 40-05-10 (detail)

Dielectric cover

